

Main Features:-

- ◆ Uni-Directional Knife Gate Valve
- ◆ Actuated With A Double Acting Cylinder
- ◆ Wafer Threaded, ASA 150
- ◆ On/Off or Regulation
- ◆ Direction Indicated By Arrows On The Body

*Temperature and pressure determined by valve body, seat etc.

Suitable Applications & Approvals:



WASTE



INDUSTRY



CERTIFIED

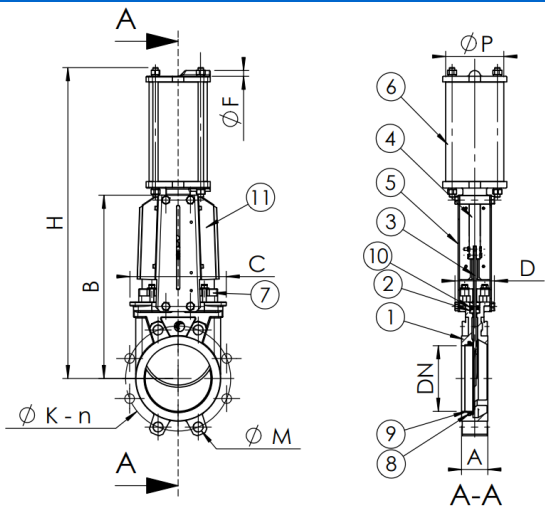


SERIES: 43014

MANUFACTURER: **Tecofi**
VALVE DESIGNER - FRANCE

VALVE DIMENSIONS

DN	SIZE	A	B	C	D	ØF	ØP	H	ØK (inch)	n	ØM	Kg
50	2"	40	240	124	83	1/4"	80	412	4.75	4	4x0.75	8
65	2 1/2"	40	265	139	83	1/4"	80	458	5.50	4	4x0.75	9
80	3"	50	290	154	83	1/4"	80	502	6.00	8	4x0.75	10
100	4"	50	335	174	83	1/4"	100	562	7.50	8	4x0.75	13
125	5"	50	373	189	93	1/4"	125	642	8.50	8	4x0.88	18
150	6"	60	424	220	93	1/4"	125	718	9.50	8	4x0.88	23
200	8"	60	533	275	108	1/4"	160	882	11.75	8	4x0.88	39
250	10"	70	625	326	108	1/4"	200	1044	14.25	12	8x1	57
300	12"	70	732	380	108	1/4"	200	1164	17	12	8x1	74
350	14"	96	835	438	290	3/8"	250	1362	18.75	16	10x1.12	127
400	16"	100	945	494	290	3/8"	250	1542	21.25	16	10x1.12	138
450	18"	106	1040	547	290	3/8"	250	1677	22.75	20	14x1.25	176



No	Description	Material
1	Body	EN-GJL-250
2	Packing	PTFE
3	Gate	SS X5CrNi 18-10
4	Stem	SS 13%Cr
5	Support Plate	Steel + Epoxy
6	Pneumatic Actuator	Aluminium
7	Packing Gland	Ductile Iron
8	Gasket	Nitrile
9	Support Ring	SS 316
10	O'Ring	Nitrile
11	Protection Plate	SS 304

T +44 (0)1386 552369

W www.allvalves.co.uk

E sales@allvalves.co.uk

F +44 (0)1386 554227



MANUFACTURER: **Tecofi'**
VALVE DESIGNER - FRANCE

SERIES: 43014

Material	Max Working Temperature	DN	Max Working Pressure	APPLICATION:
Metal/Metal	-10°C / +80°C	DN50-250	10 Bar	The Tecofi knife gate valve can typically be used for the following applications; <ul style="list-style-type: none"> • Pulp and Paper • Water • Water Treatment • Biogas • Chemical • Powder • Slurry and Waste • Mining
White NBR	-10°C / +80°C	DN300-450	7 Bar	
EPDM	-10°C / +130°C	DN500-600	4 Bar	
Silicone	-10°C / +170°C	DN700-1200	2 Bar	
FPM (Viton)	-10°C / +170°C			
PTFE	+4°C / +170°C			
CSM (Hypalon)	+4°C / +80°C			

ALL VALVES ONLINE

Offering a full range of actuated valve packages, manual valve range, pipe fittings and pumps, we have a product for all your requirements. As an ISO 9001-2015 Quality Approved and certified company, All Valves offer a quality service from pre-sale to post sale. Shipping millions of pounds in value of manual valve and actuated valve packages all over the world since its formation, All Valves are a trusted valve and actuator supplier to many companies all over the world. Working with the leading brands in most industries.

TEMPERATURE AND PRESSURE & MATERIALS



T +44 (0)1386 552369

E sales@allvalves.co.uk

W www.allvalves.co.uk

F +44 (0)1386 554227